

SVS VALVE PLUG FORM A 18MM FIELD-WIREABLE

24V LED PG9

Form A (18 mm) for pressure switch

24 V AC/DC

LED green (1) yellow (3)

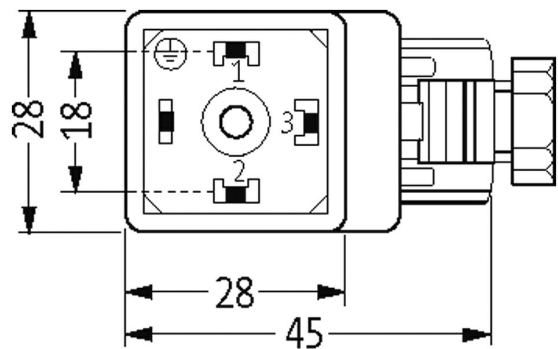
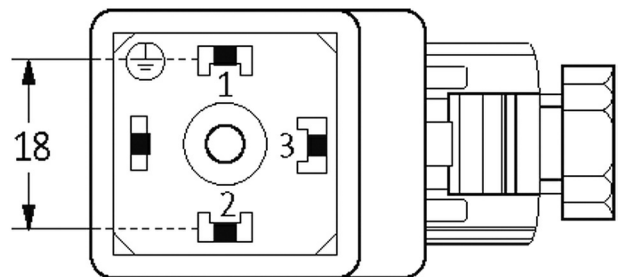
PG9

Plastic housings with good resistance against chemicals and oils.

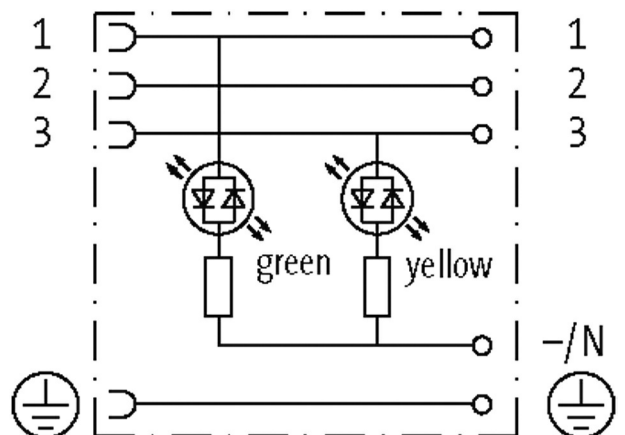
The resistance to aggressive media should be individually tested for your application. Further details on request.

[Link to Product](#)

Illustration



Height: 41 mm



Product may differ from Image

Form	
Form	29461
General data	
Temperature range	-20...+60 °C
Technical Data	
Operating voltage	max. 24 V AC/DC
Operating current per contact	max. 4 A
Configuration	3 contacts + PE
Locking of ports	M3 (recommended torque 0.4 Nm)
Protection	IP65 inserted and tightened (EN 60529)
Commercial data	
country of origin	CZ
customs tariff number	85366990
EAN	4048879187404
eClass	27279221
Packaging unit	1